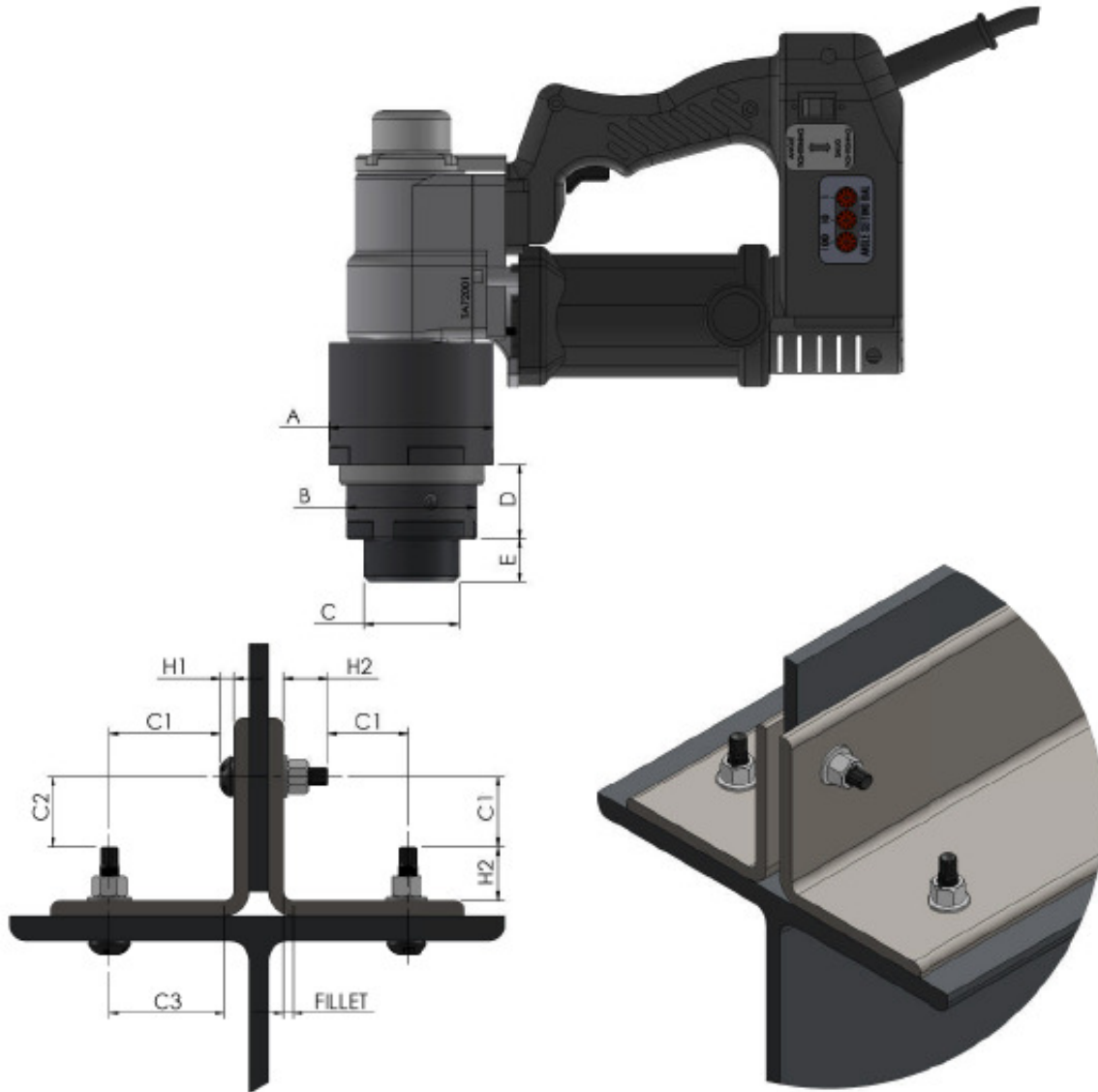


Model	Diameter			Length					Height	
	Socket	Skt Holder	Gear Case	Socket	Skt Holder	Gear Case	Motor	Overall	Total	
	A	B	C	D	E	F	G	H	I	
TA6144 - 3/4"	1-13/16"	2-3/16"	2-11/16"	7/8"	1-5/8"	1-15/16"	3-3/8"	8-7/8"	11-1/4"	
TA7144 - 7/8"	2"	2-11/16"	3-3/8"	13/16"	2"	2-3/8"	3-15/16"	9-1/2"	11-9/16"	
TA8144 - 1"	2-3/16"	2-11/16"	3-3/8"	15/16"	2-1/8"	2-1/2"	4-1/2"	10-1/16"	11-15/16"	

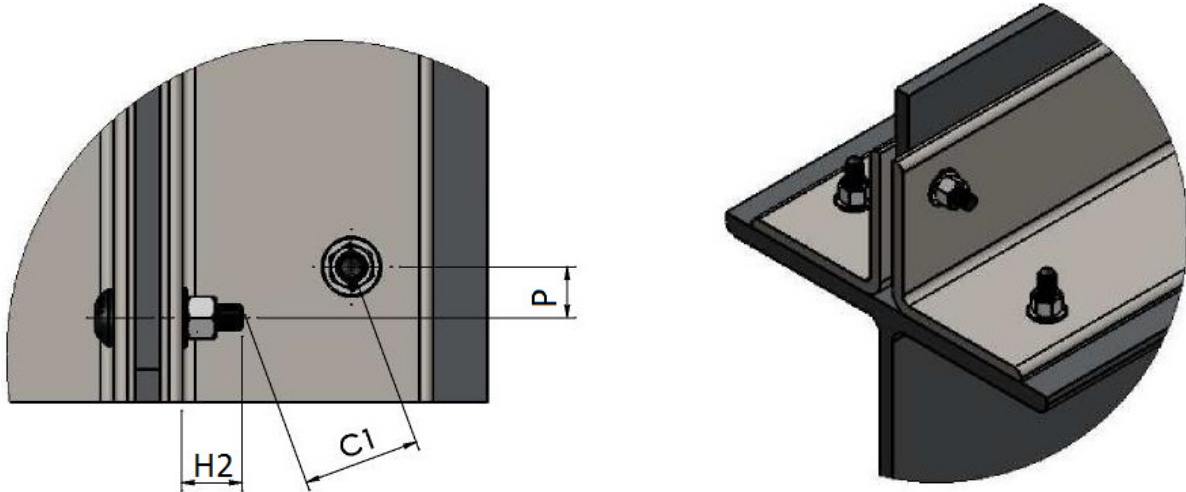
3500 West Highway 13, Burnsville, MN 55337 | 800.872.2658
 3655 Placentia Court, Chino, CA 91710 | 877.684.4091
 sales@lejeunebolt.com | www.lejeunebolt.com



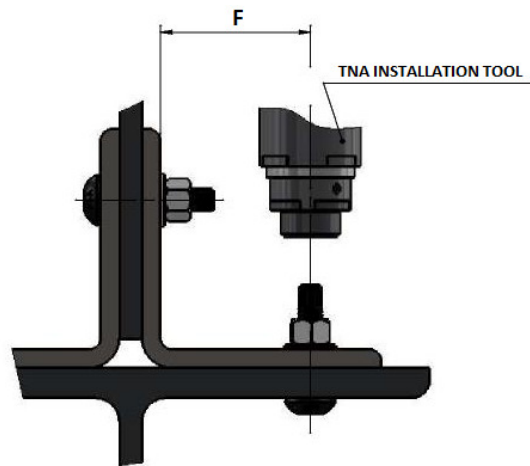
TNA 144 ENTERING AND TIGHTENING CLEARANCES											
MODEL	A	B	C	D	E	Bolt Dia.	H1	H2	C1	C2	C3
TA6144 - 3/4"	2-11/16"	2-3/16"	1-13/16"	1-1/16"	7/8"	3/4"	1/2"	2-3/16"	1-3/8"	1-3/8"	3/4"
TA7144 - 7/8"	3-3/8"	2-11/16"	2"	1-9/16"	13/16"	7/8"	9/16"	2-5/16"	1-11/16"	1-11/16"	7/8"
TA8144 - 1"	3-3/8"	2-11/16"	2-3/16"	1-9/16"	15/16"	1"	5/8"	2-9/16"	1-11/16"	1-11/16"	1"

- H1= height of head
- H2= shank extension, max., based on one flat washer
- C1= clearance for tightening
- C2= clearance for entering
- C3= clearance for fillet, based on std. hardened washer

3500 West Highway 13, Burnsville, MN 55337 | 800.872.2658
 3655 Placentia Court, Chino, CA 91710 | 877.684.4091
 sales@lejeunebolt.com | www.lejeunebolt.com



C1 = TIGHTENING CLEARANCE
 3/4" TNA H2 = 2-3/16" - SHANK EXTENSION MAX
 7/8" TNA H2 = 2-5/16" - SHANK EXTENSION MAX
 1" TNA H2 = 2-6/16" - SHANK EXTENSION MAX
 BASED ON ONE FLAT WASHER



TNA 144 BOLT STAGGER FOR INSTALLATION TOOL			
F	Stagger P - Bolt Diameter		
	3/4" - Model TA6144	7/8" - Model TA7144	1" - Model TA8144
1-3/4"	1-3/4"	2-5/16"	2-1/2"
1-7/8"	1-5/8"	2-1/4"	2-7/16"
2"	1-5/8"	2-3/16"	2-7/16"
2-1/8"	1-5/8"	2-1/8"	2-3/8"
2-1/4"	1-5/8"	2-1/16"	2-1/4"
2-3/8"	1-5/8"	2-1/16"	2-1/8"
2-1/2"	1-5/8"	2"	2-1/8"
2-5/8"	1-5/8"	2"	2-1/8"
2-3/4"	1-1/2"	2"	2-1/8"
2-7/8"	1-1/2"	1-15/16"	2-1/16"
3"	1-3/8"	1-7/8"	2-1/16"
3-3/8"	1"	1-11/16"	1-7/8"

3500 West Highway 13, Burnsville, MN 55337 | 800.872.2658
 3655 Placentia Court, Chino, CA 91710 | 877.684.4091
 sales@lejeunebolt.com | www.lejeunebolt.com